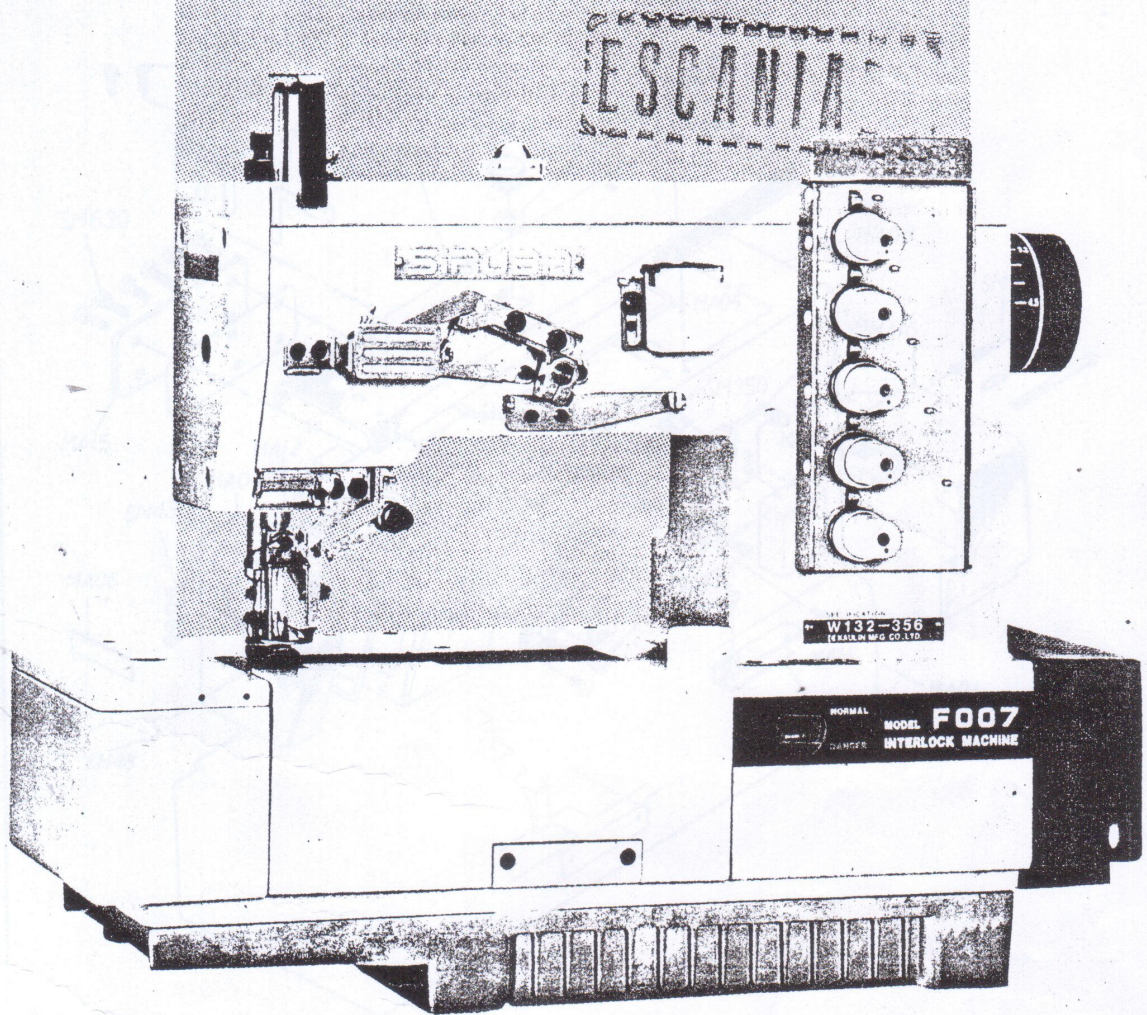


# SIRUBA®

## F007



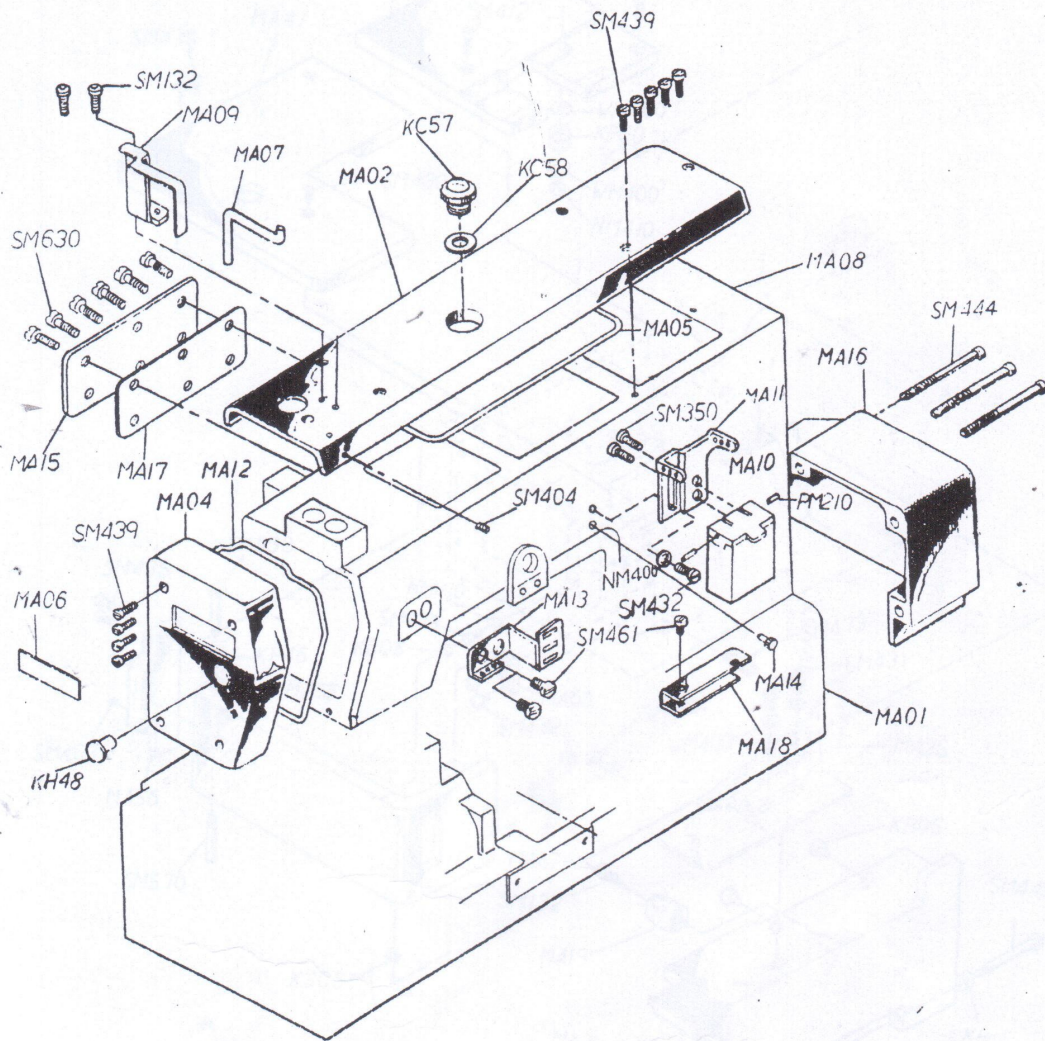
### 使用說明書&零件圖 INSTRUCTION & PARTS BOOK



高林股份有限公司  
KAULIN MFG. CO., LTD.

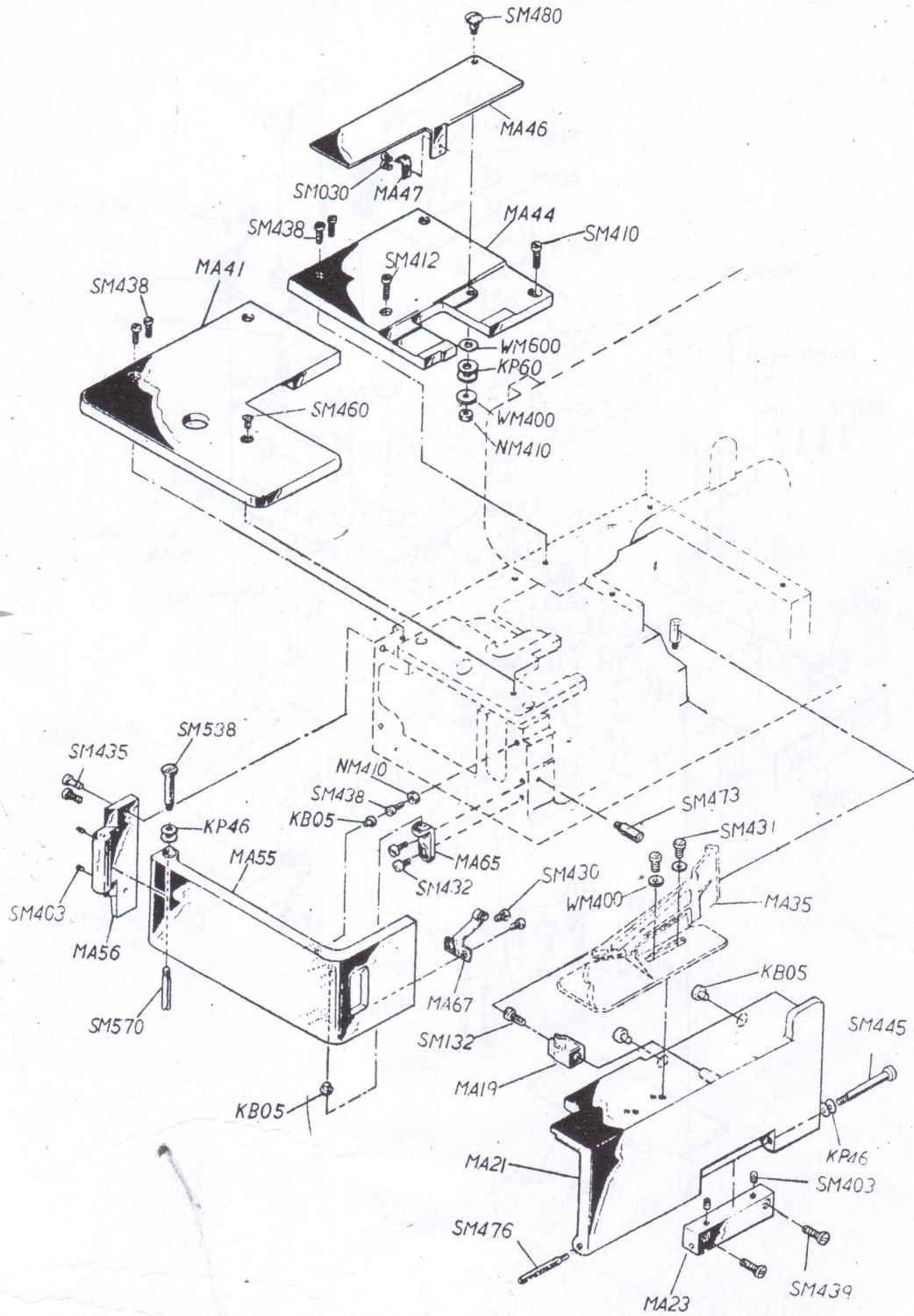


# PARTS LIST FOR MA GROUP



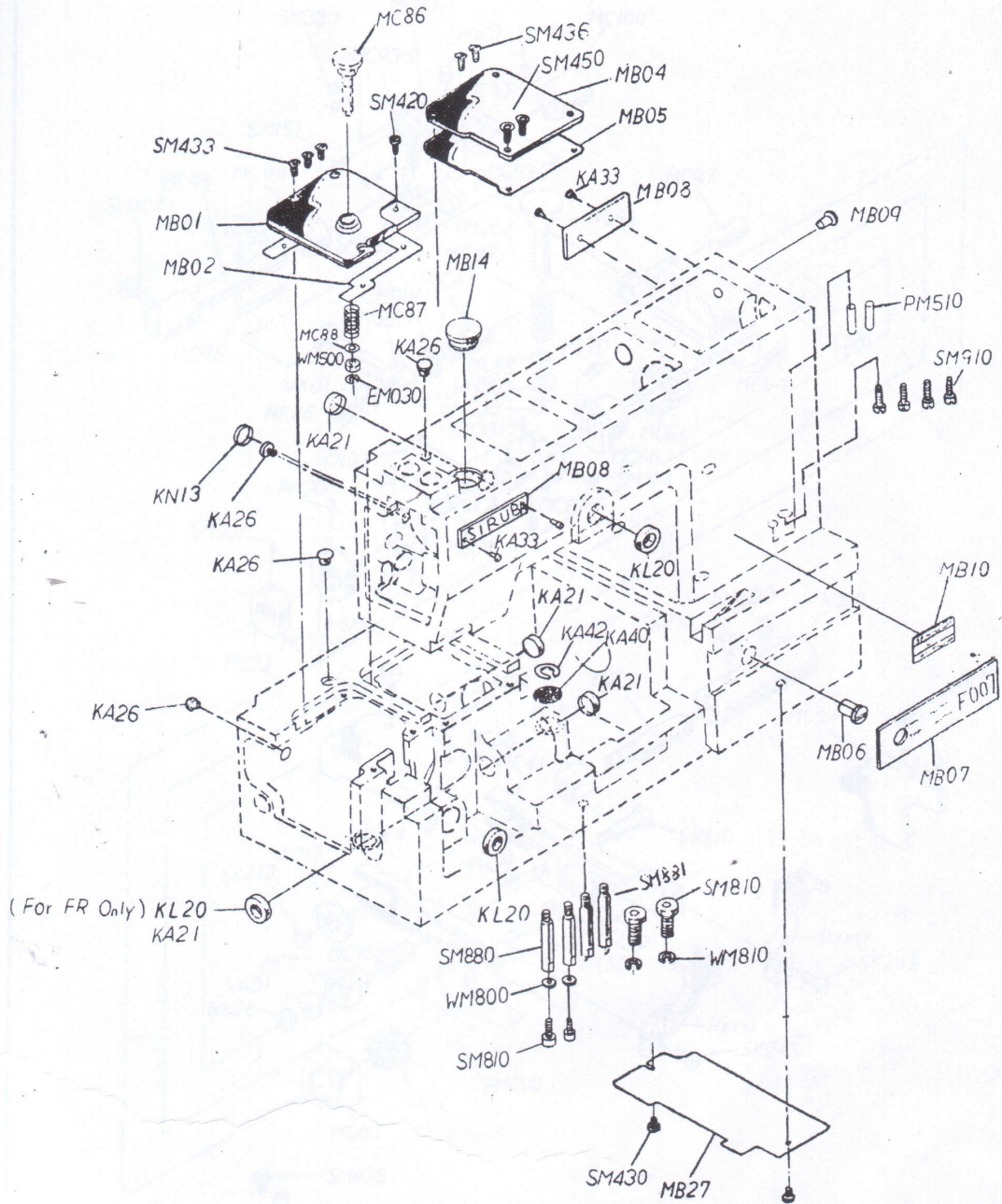


# PARTS LIST FOR MA GROUP



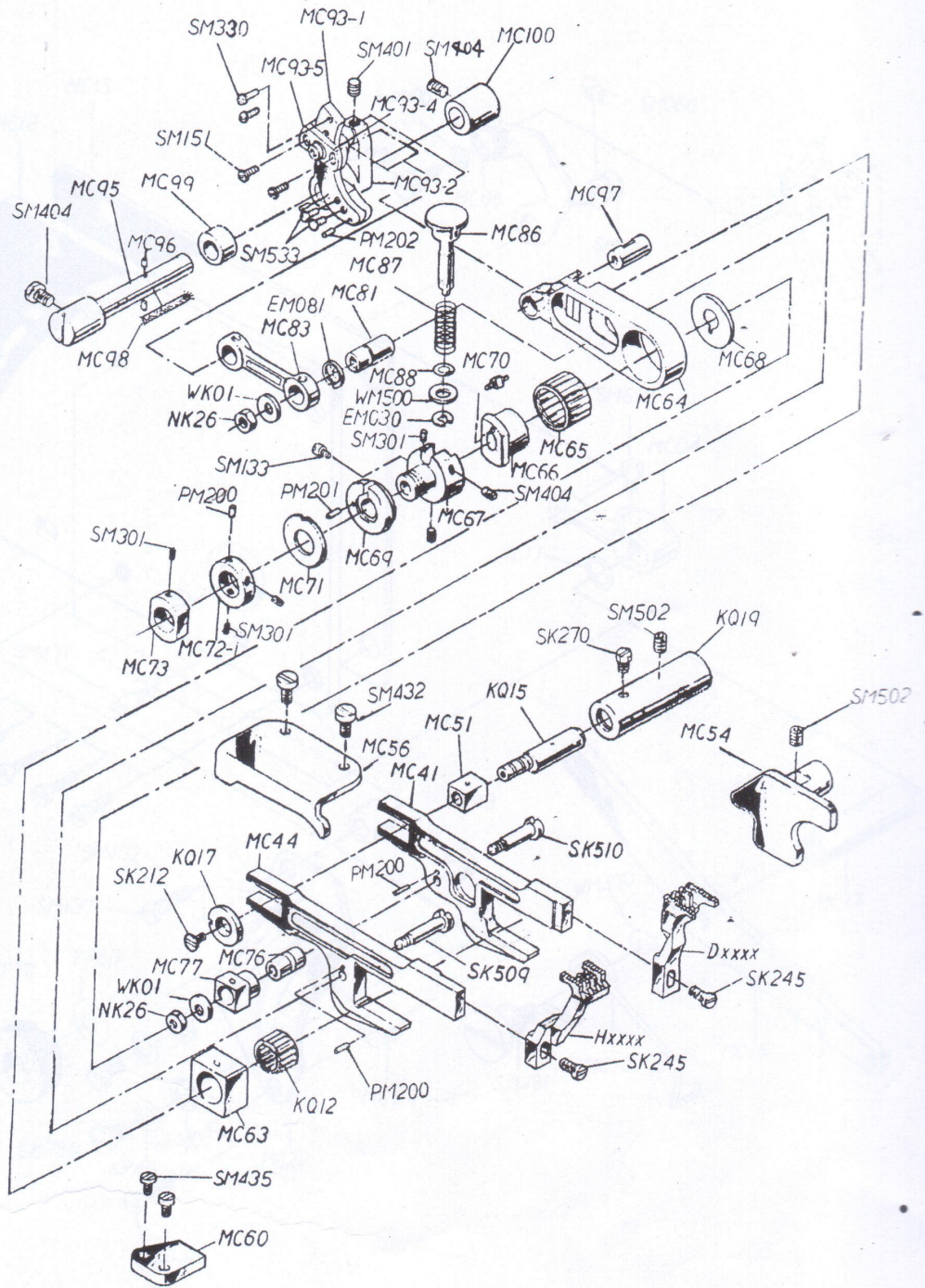


# PARTS LIST FOR MB GROUP



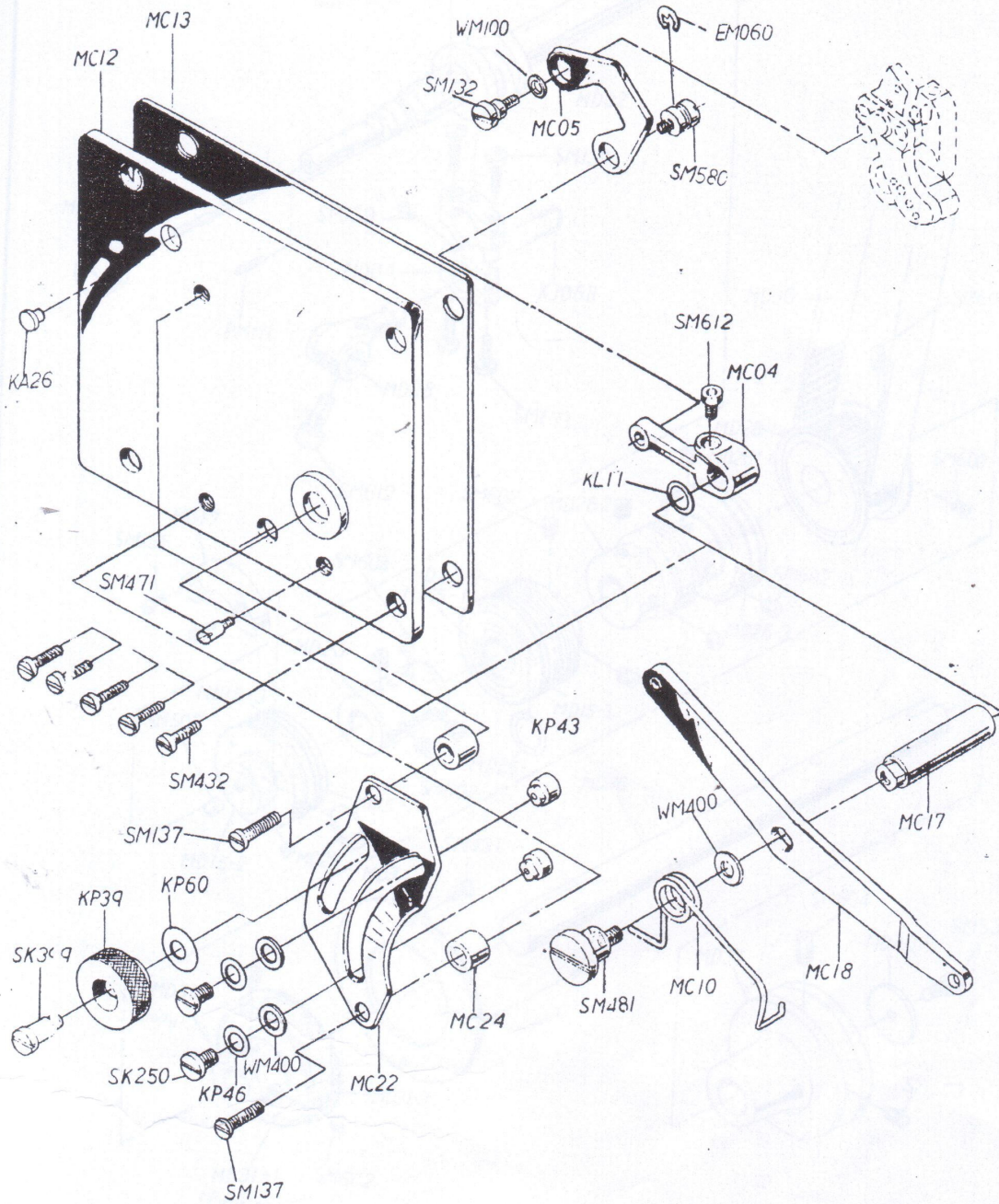


# PARTS LIST FOR MC GROUP



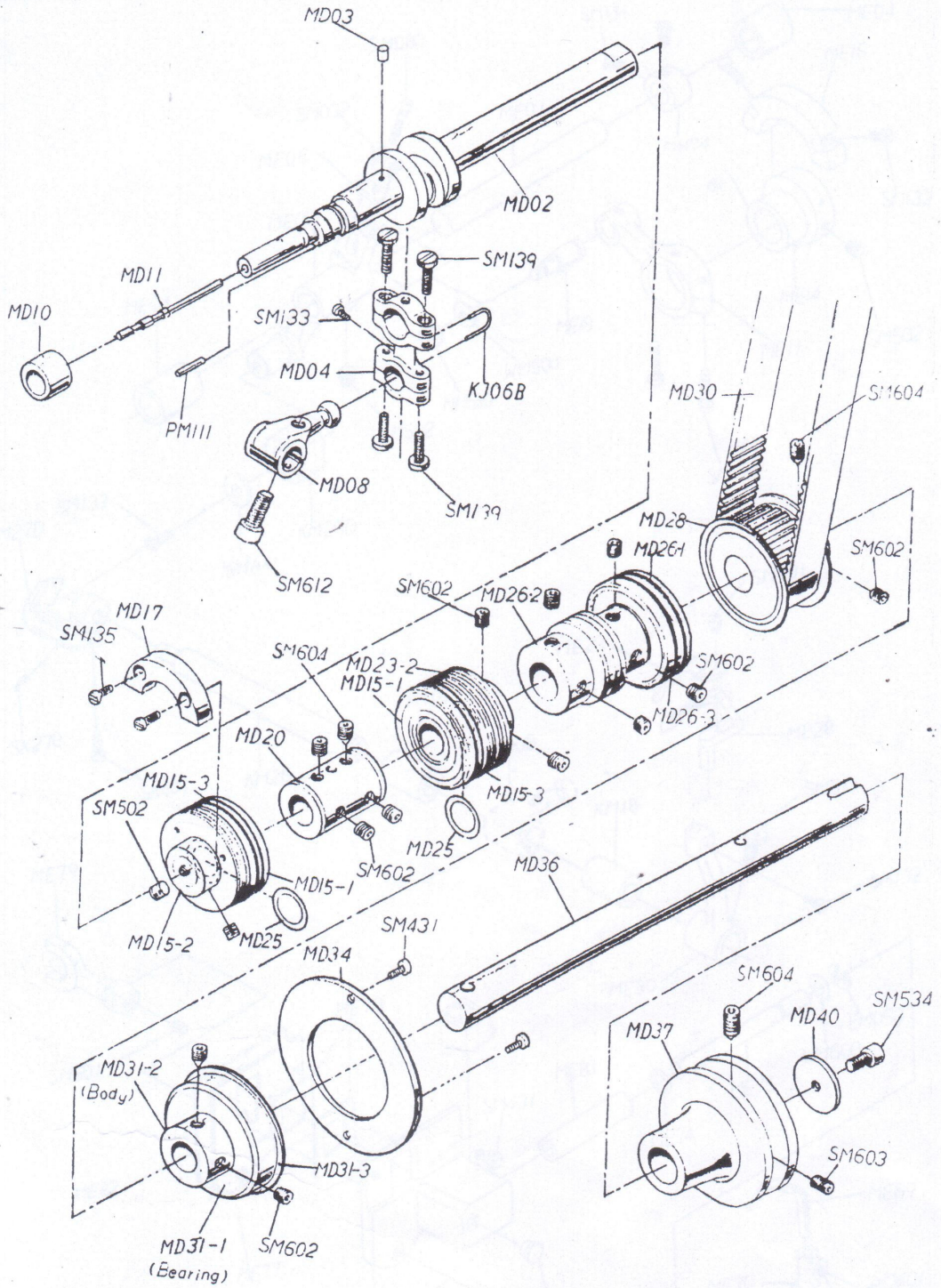


# PARTS LIST FOR MC GROUP



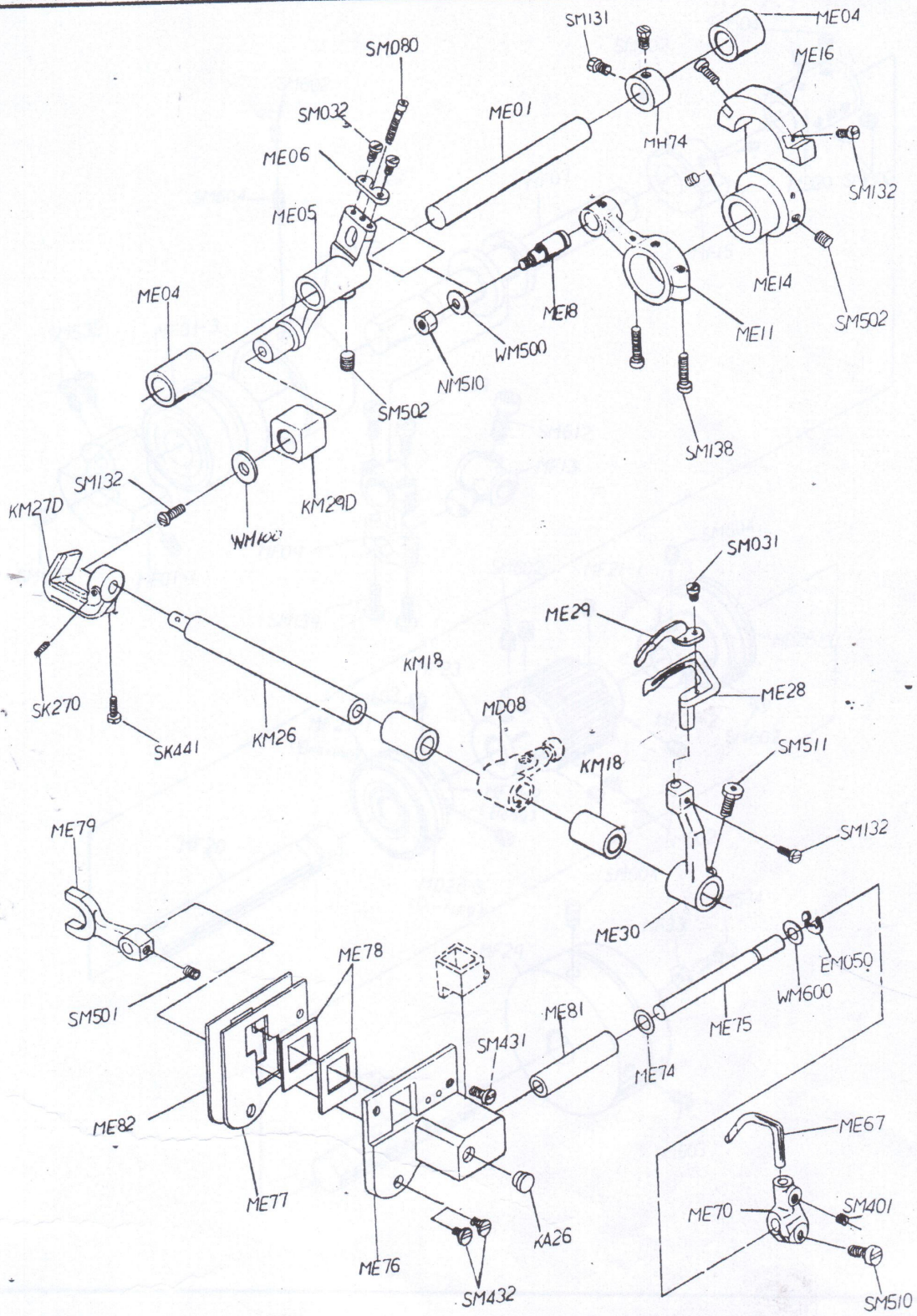


# PARTS LIST FOR MD GROUP



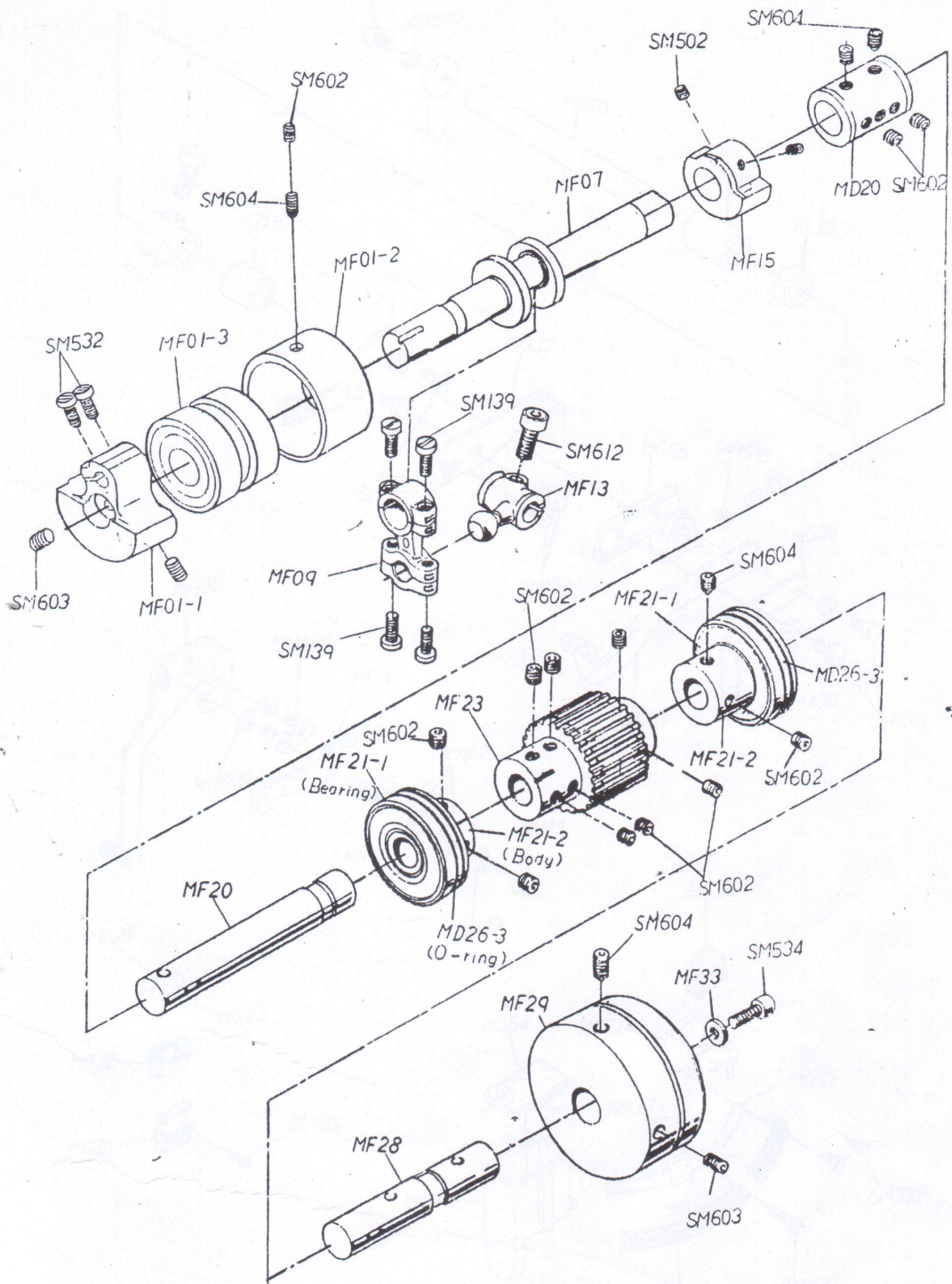


# PARTS LIST FOR ME GROUP



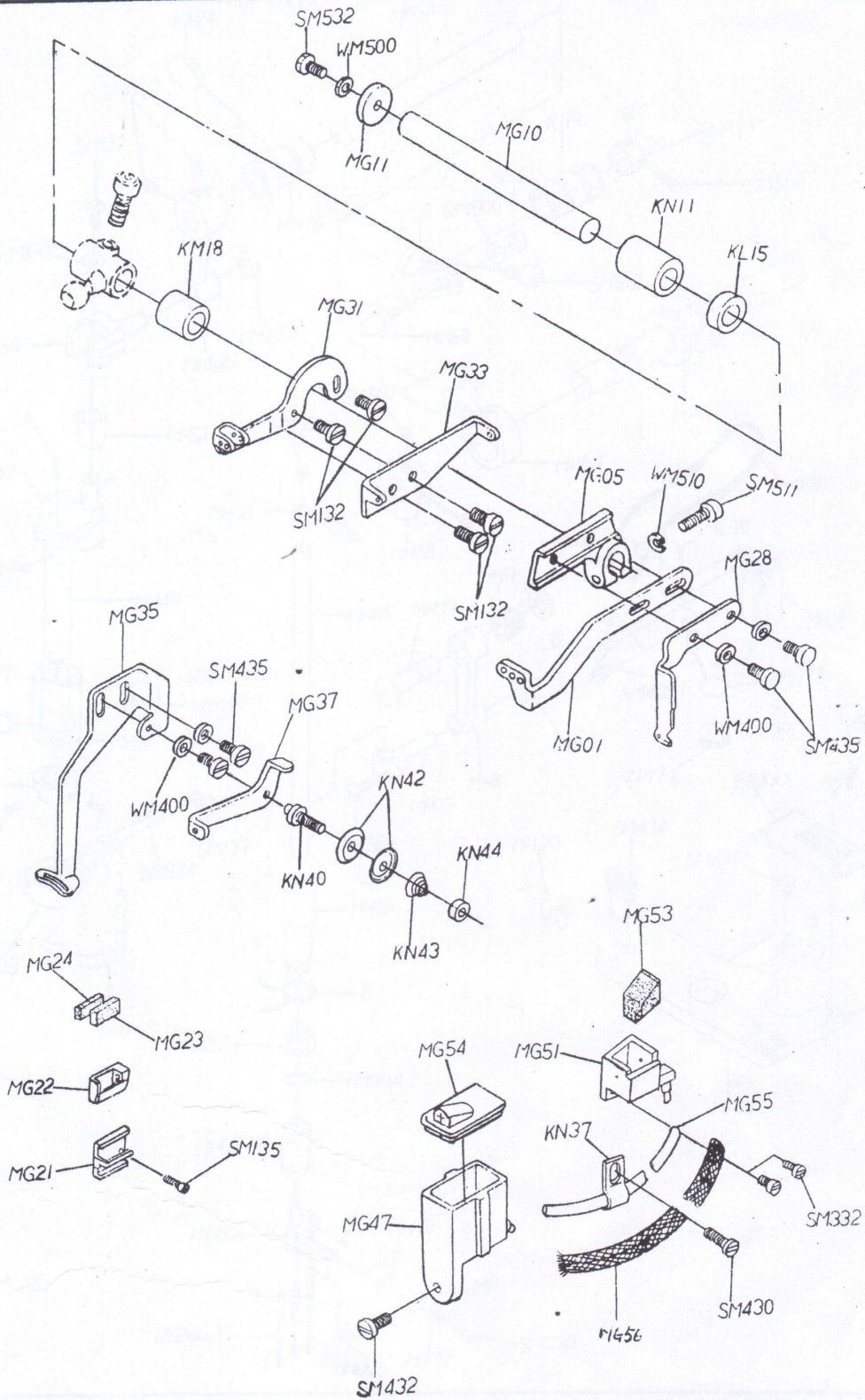


# PARTS LIST FOR MF GROUP



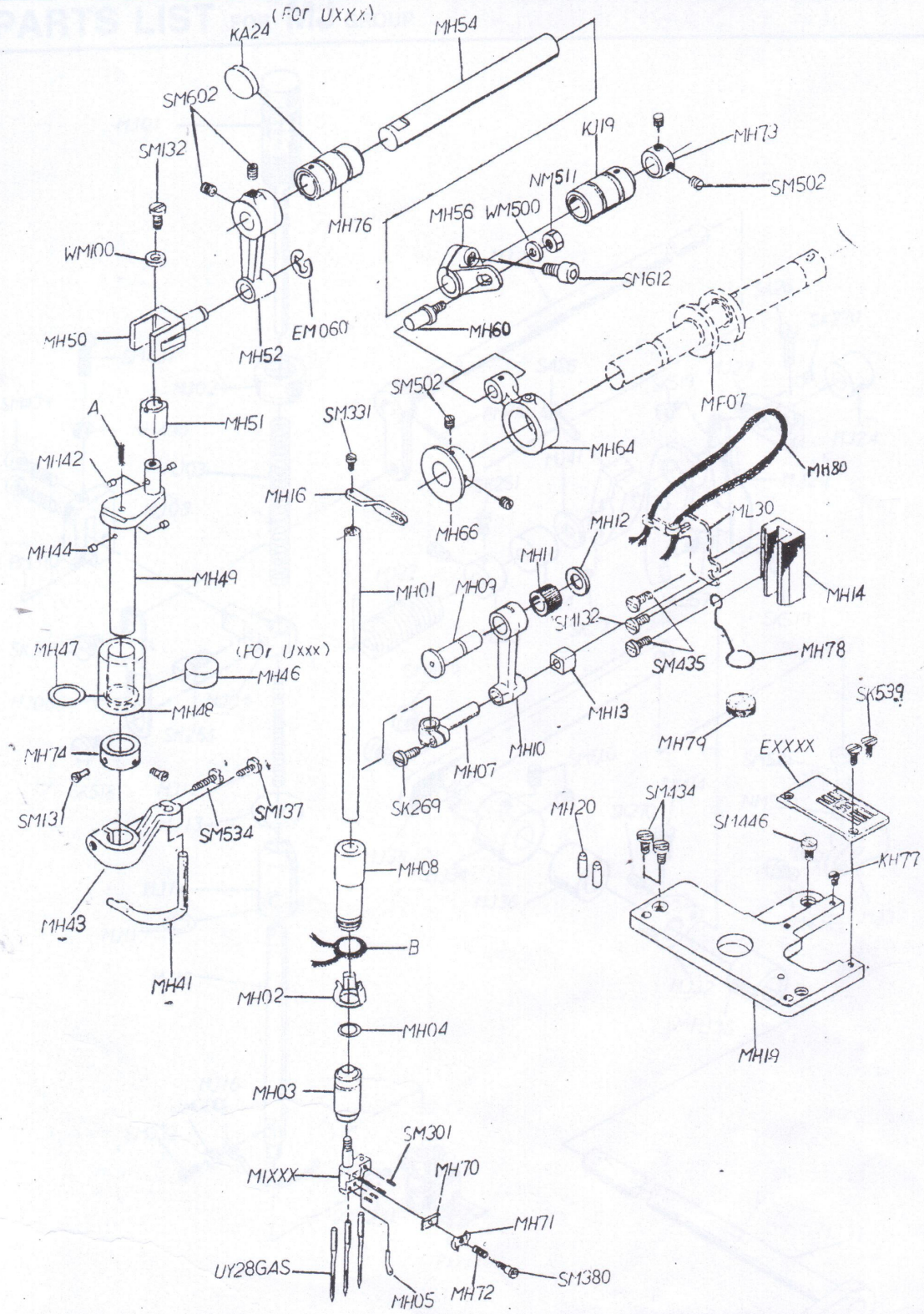


# PARTS LIST FOR MG GROUP



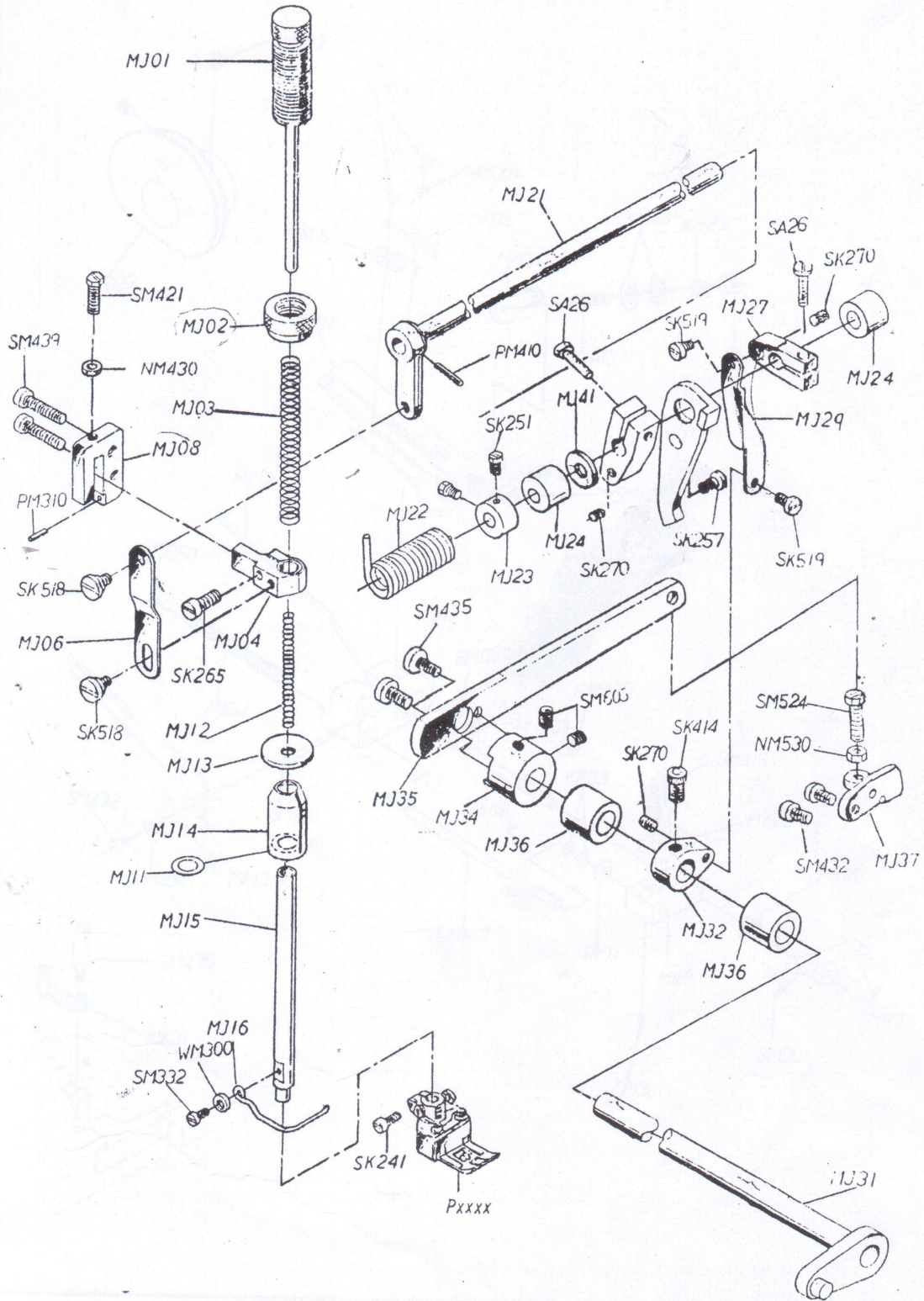


# PARTS LIST FOR MH GROUP



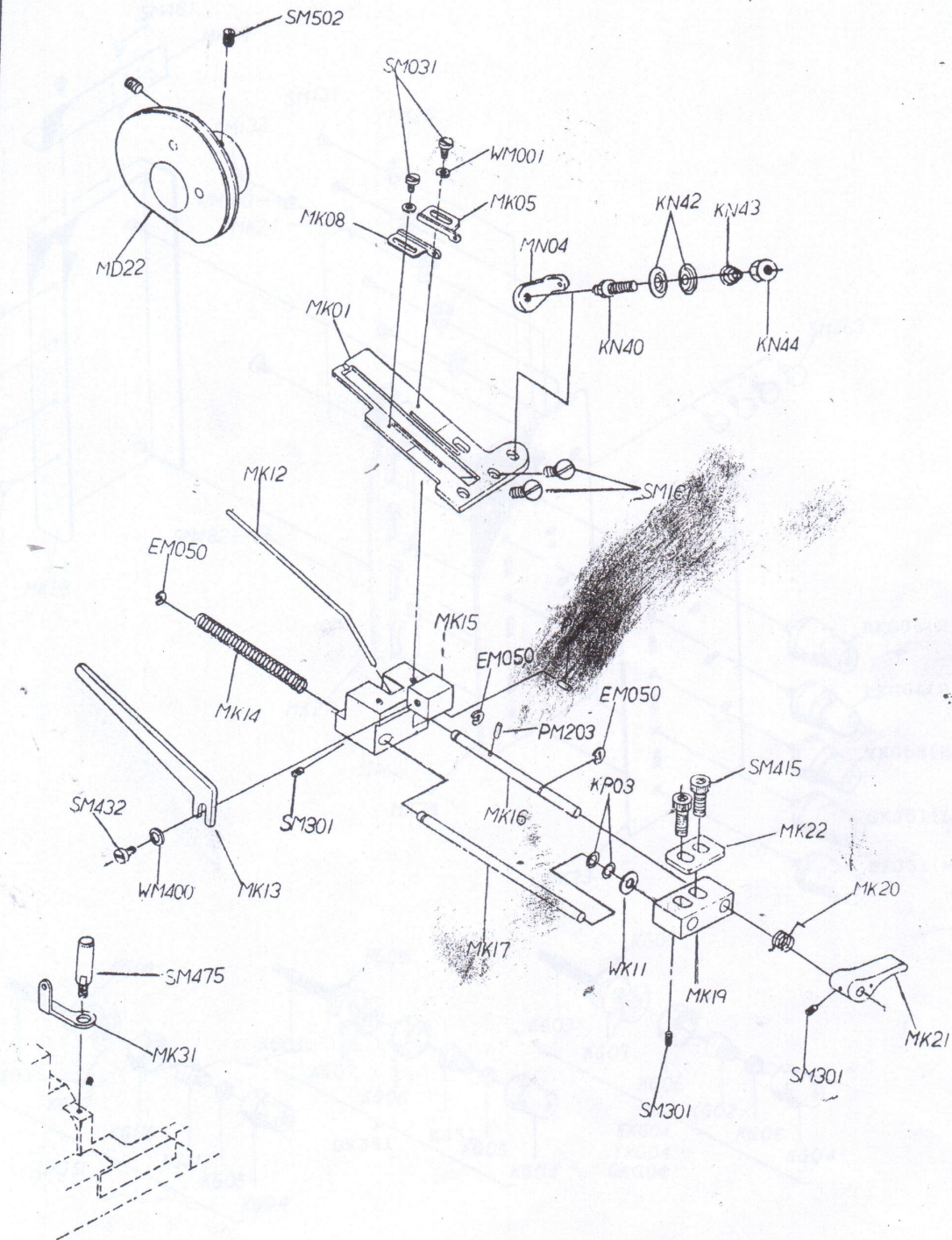


# PARTS LIST FOR MJ GROUP



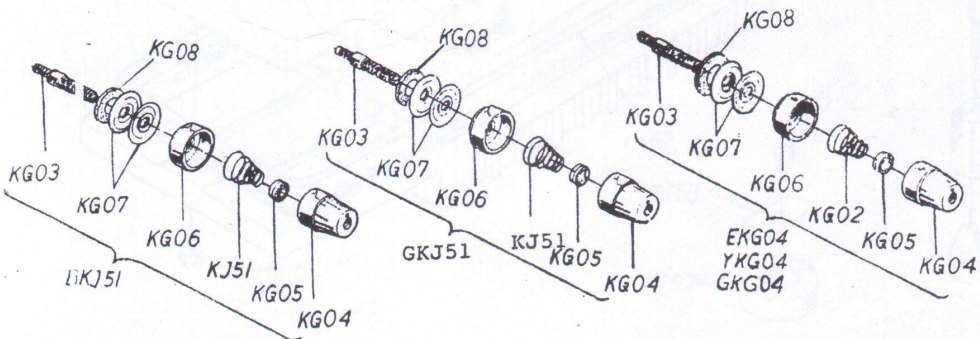
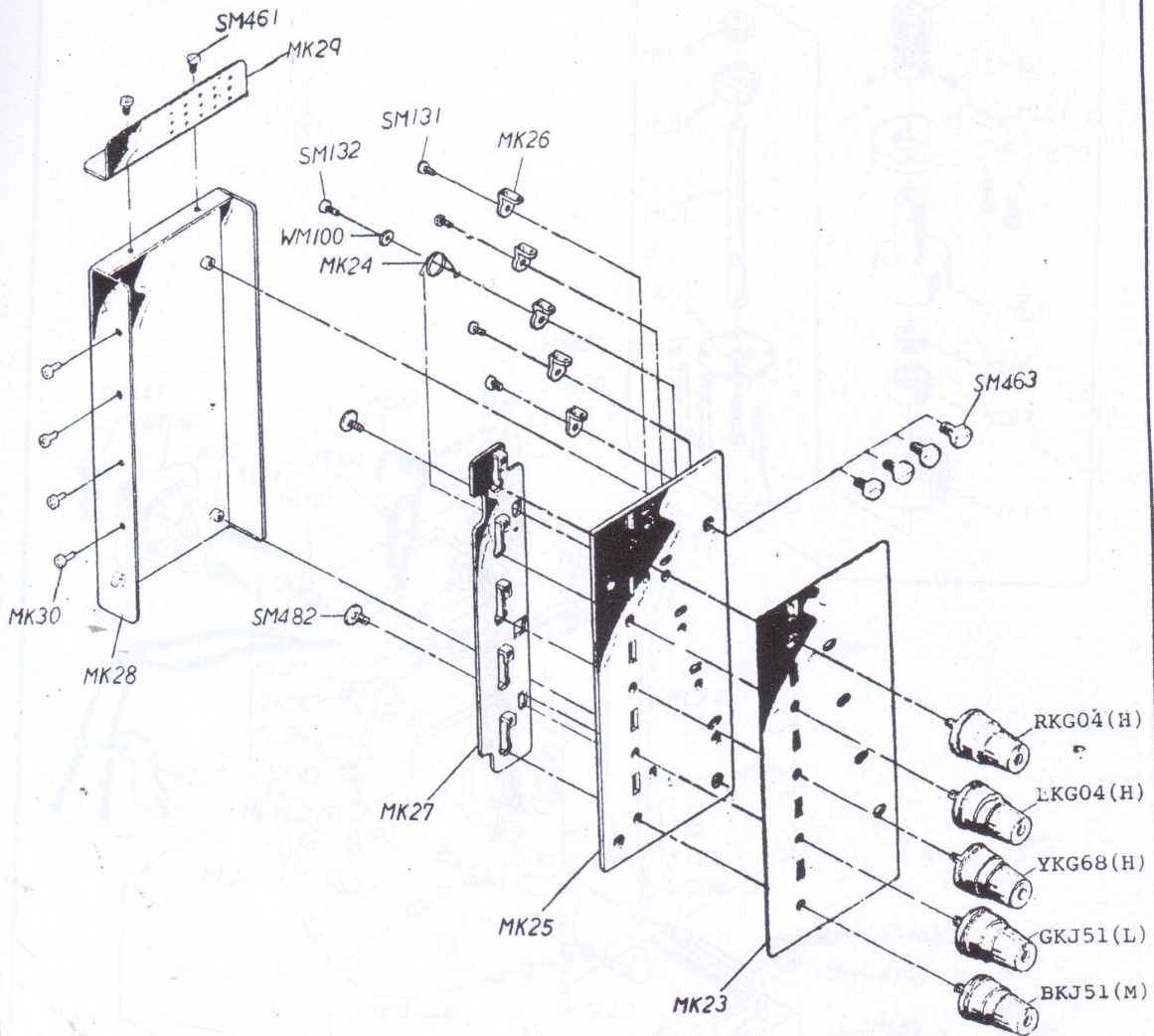


# PARTS LIST FOR MK GROUP



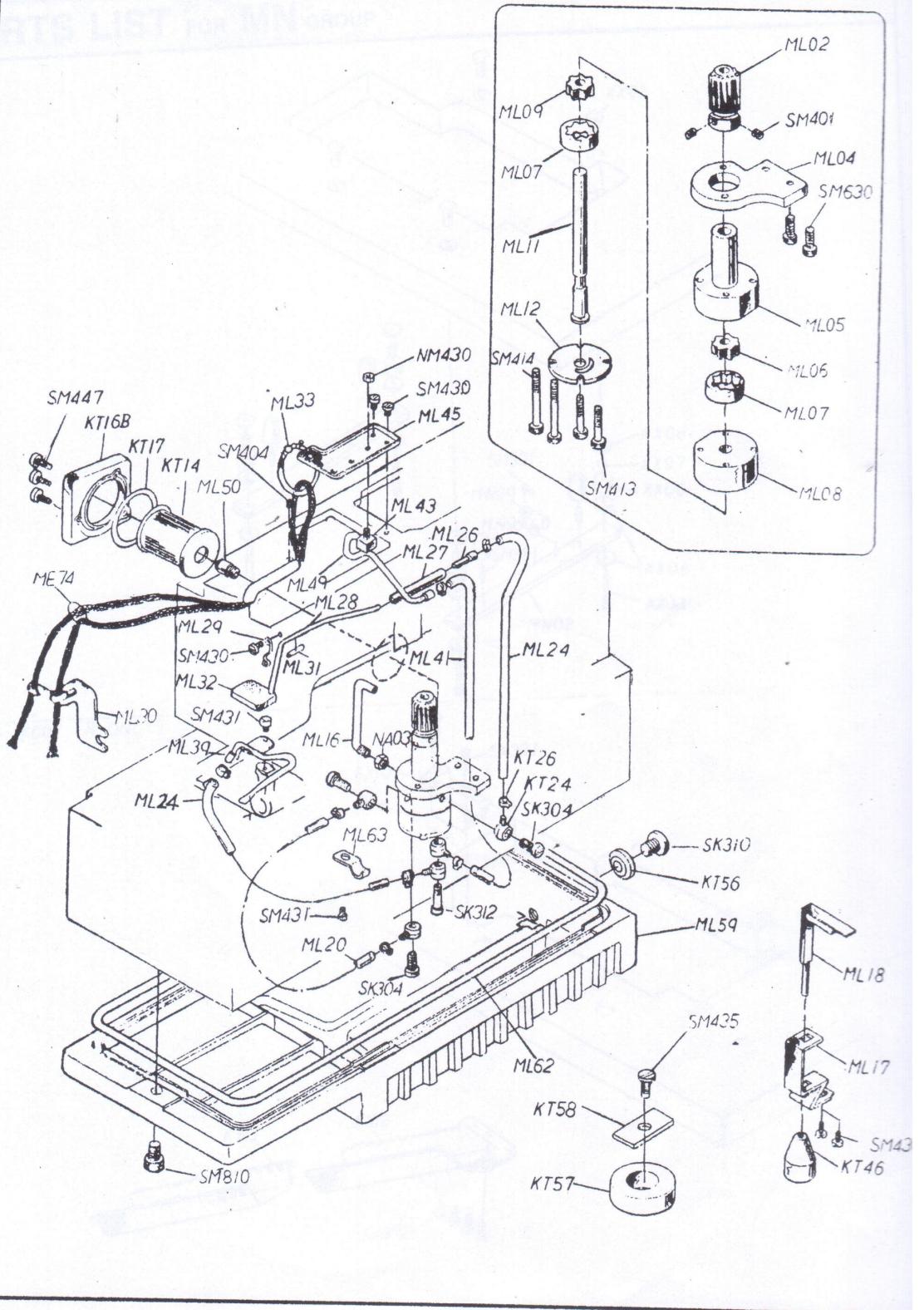


# PARTS LIST FOR MK GROUP



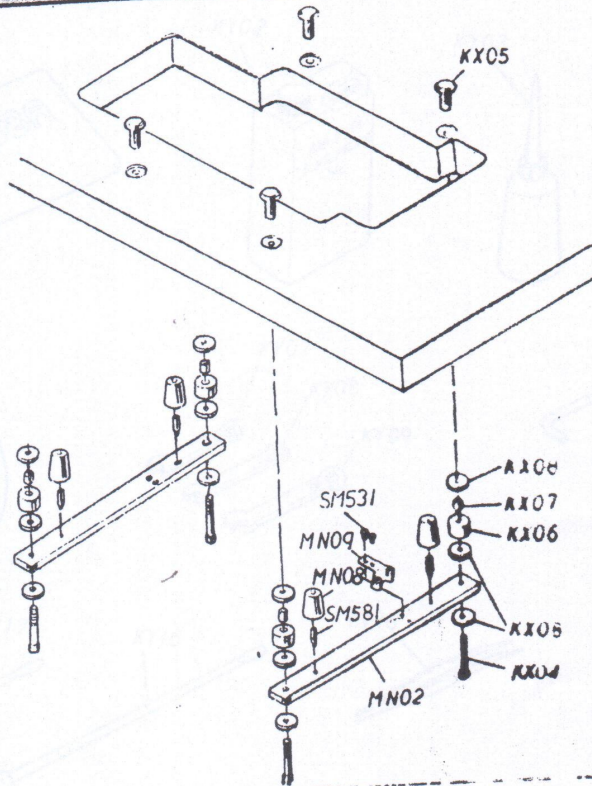


# PARTS LIST FOR ML GROUP

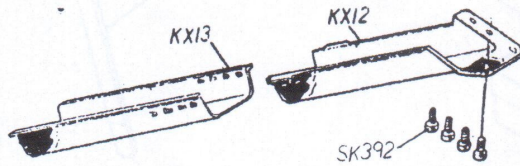
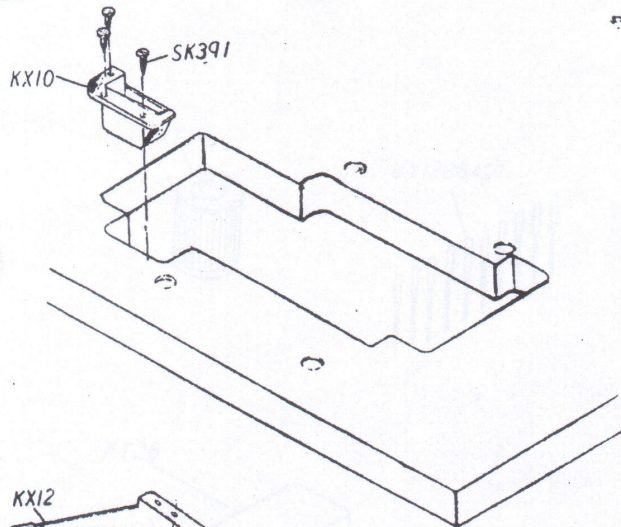




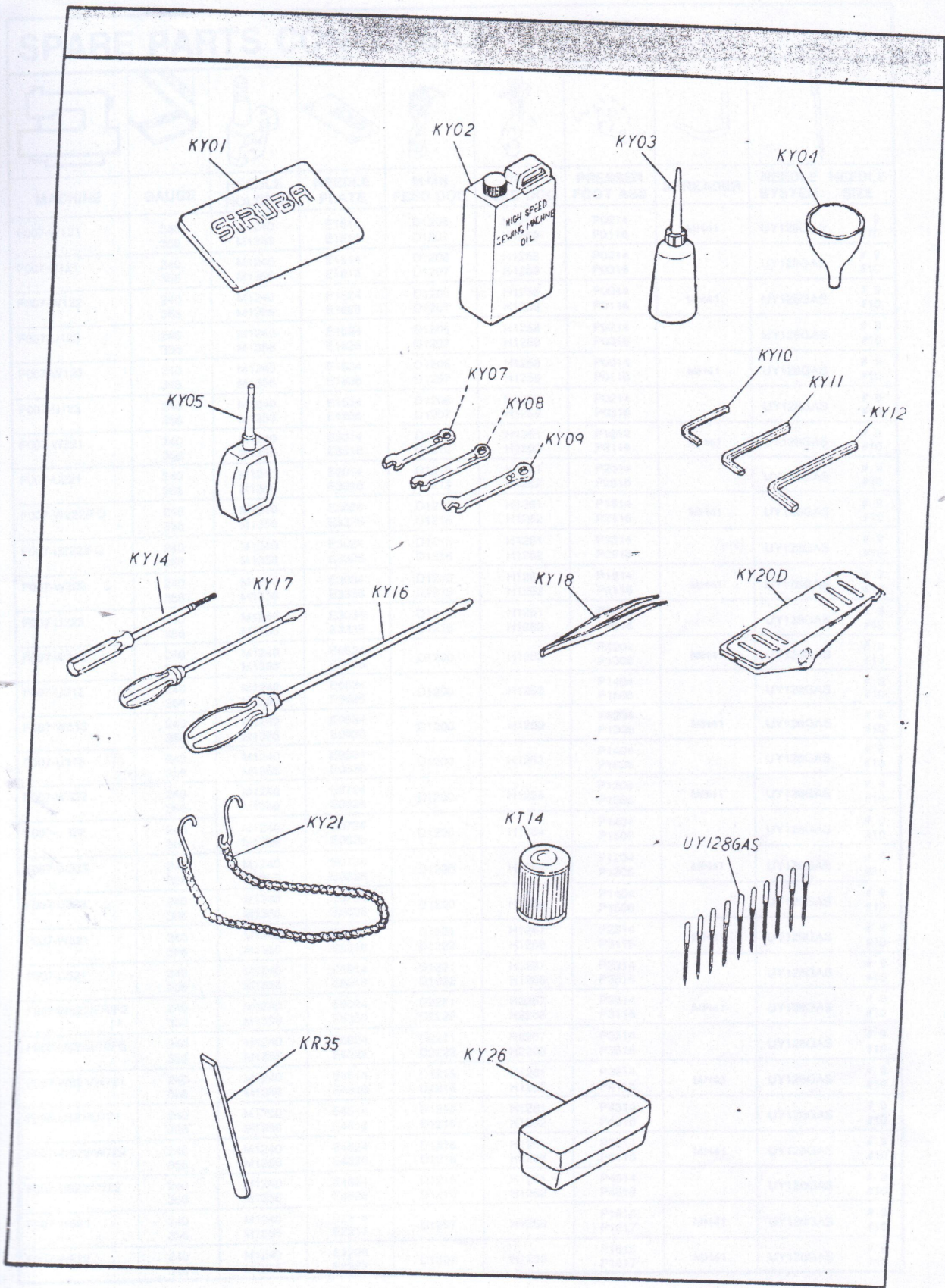
# PARTS LIST FOR MN GROUP



(For F007 FR ONLY)

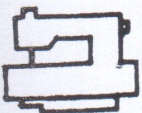
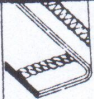















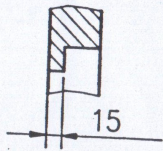
# SPARE PARTS CONVERSION CHART

									NEEDLE SYSTEM	NEEDLE SIZE
F007-W121	240 356	M1240 M1356	E1514 E1816	D1206 D1207	H1258 H1259	P0014 P0116	MH41	UY128GAS	# 9 #10	
F007-U121	240 356	M1240 M1356	E1514 E1816	D1206 D1207	H1258 H1259	P0214 P0316		UY128GAS	# 9 #10	
F007-W122	240 356	M1240 M1356	E1524 E1826	D1206 D1207	H1258 H1259	P0014 P0116	MH41	UY128GAS	# 9 #10	
F007-U122	240 356	M1240 M1356	E1524 E1826	D1206 D1207	H1258 H1259	P0214 P0316		UY128GAS	# 9 #10	
F007-W123	240 356	M1240 M1356	E1534 E1836	D1206 D1207	H1258 H1259	P0014 P0116	MH41	UY128GAS	# 9 #10	
F007-U123	240 356	M1240 M1356	E1534 E1836	D1206 D1207	H1258 H1259	P0214 P0316		UY128GAS	# 9 #10	
F007-W221	240 356	M1240 M1356	E3014 E3316	D1215 D1216	H1261 H1262	P1814 P2116	MH41	UY128GAS	# 9 #10	
F007-U221	240 356	M1240 M1356	E3014 E3316	D1215 D1216	H1261 H1262	P2314 P2616		UY128GAS	# 9 #10	
F007-W222/FQ	240 356	M1240 M1356	E3024 E3326	D1215 D1216	H1261 H1262	P1814 P2116	MH41	UY128GAS	# 9 #10	
F007-U222/FQ	240 356	M1240 M1356	E3024 E3326	D1215 D1216	H1261 H1262	P2314 P2616		UY128GAS	# 9 #10	
F007-W223	240 356	M1240 M1356	E3034 E3336	D1215 D1216	H1261 H1262	P1814 P2116	MH41	UY128GAS	# 9 #10	
F007-U223	240 356	M1240 M1356	E3034 E3336	D1215 D1216	H1261 H1262	P2314 P2616		UY128GAS	# 9 #10	
F007-W312	240 356	M1240 M1356	E0524 E0626	D1200	H1253	P1204 P1306	MH41	UY128GAS	# 9 #10	
F007-U312	240 356	M1240 M1356	E0524 E0626	D1200	H1253	P1404 P1506		UY128GAS	# 9 #10	
F007-W313	240 356	M1240 M1356	E0534 E0636	D1200	H1253	P1204 P1306	MH41	UY128GAS	# 9 #10	
F007-U313	240 356	M1240 M1356	E0534 E0636	D1200	H1253	P1404 P1506		UY128GAS	# 9 #10	
F007-W322	240 356	M1240 M1356	E0724 E0826	D1200	H1254	P1204 P1306	MH41	UY128GAS	# 9 #10	
F007-U322	240 356	M1240 M1356	E0724 E0826	D1200	H1254	P1404 P1506		UY128GAS	# 9 #10	
F007-W323	240 356	M1240 M1356	E0734 E0836	D1200	H1254	P1204 P1306	MH41	UY128GAS	# 9 #10	
F007-U323	240 356	M1240 M1356	E0734 E0836	D1200	H1254	P1404 P1506		UY128GAS	# 9 #10	
F007-W521	240 356	M1240 M1356	E5014 E5316	D1221 D1222	H1267 H1268	P2814 P3116	MH41	UY128GAS	# 9 #10	
F007-U521	240 356	M1240 M1356	E5014 E5316	D1221 D1222	H1267 H1268	P3314 P3616		UY128GAS	# 9 #10	
F007-W522/FR/FE	240 356	M1240 M1356	E6024 E6326	D2221 D2222	H2267 H2268	P2814 P3116	MH41	UY128GAS	# 9 #10	
F007-U522/FR/FE	240 356	M1240 M1356	E6024 E6326	D2221 D2222	H2267 H2268	P3314 P3616		UY128GAS	# 9 #10	
F007-W621/W721	240 356	M1240 M1356	E4514 E4816	D1215 D1216	H1261 H1262	P3814 P4116	MH41	UY128GAS	# 9 #10	
F006-U621/U721	240 356	M1240 M1356	E4514 E4816	D1215 D1216	H1261 H1262	P4314 P4616		UY128GAS	# 9 #10	
F007-W622/W722	240 356	M1240 M1356	E4524 E4826	D1215 D1216	H1261 H1262	P3814 P4116	MH41	UY128GAS	# 9 #10	
F007-U622/U722	240 356	M1240 M1356	E4524 E4826	D1215 D1216	H1261 H1262	P4314 P4616		UY128GAS	# 9 #10	
F007-W821	240 356	M1240 M1356	E2216 E2217	D1207	H1259	P1616 P1617	MH41	UY128GAS	# 9 #10	
F007-W822	240 356	M1240 M1356	E2226 E2227	D1207	H1259	P1616 P1617	MH41	UY128GAS	# 9 #10	

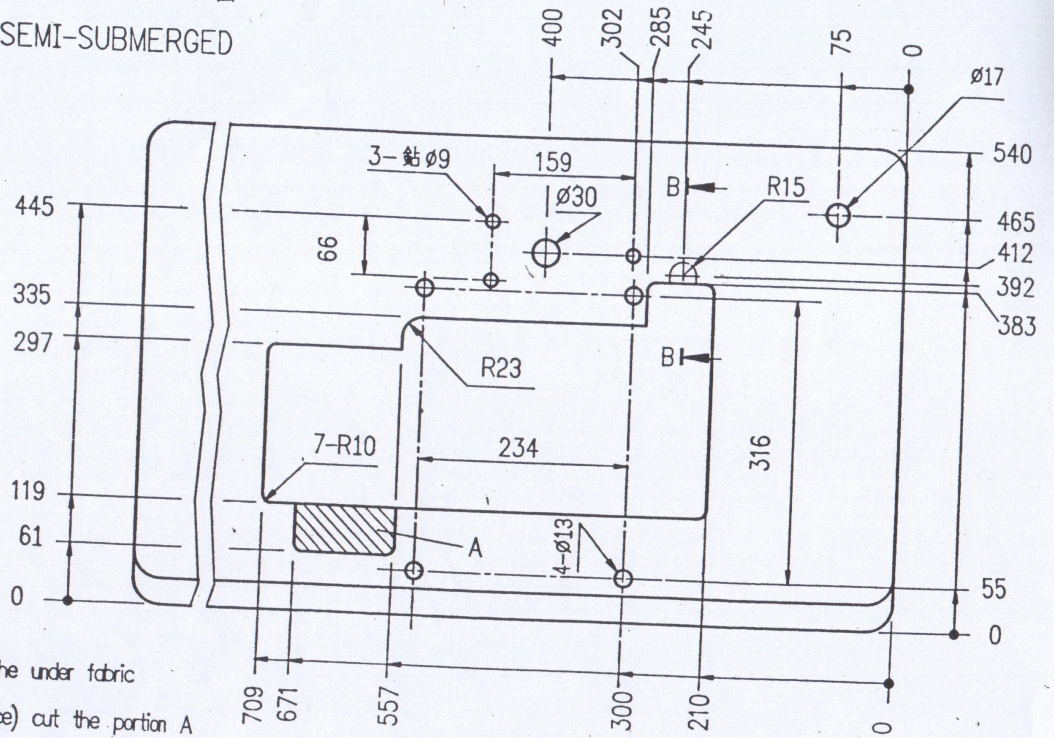


FOR F007 三針平車下沈式桌板圖  
 TABLE CUT-OUT SEMI-SUBMERGED

單位：MM



B-B 剖面



Note :

For a machine with the under fabric trimmer (the FR device) cut the portion A