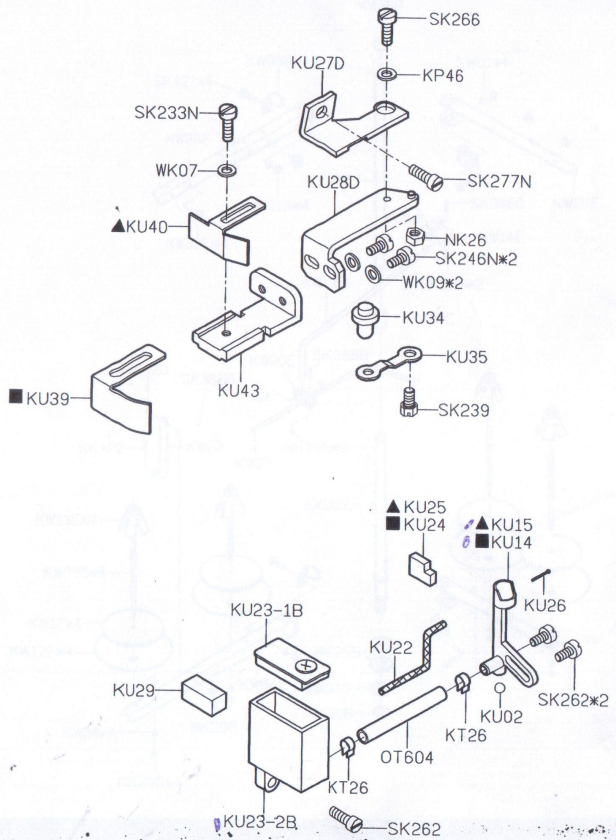
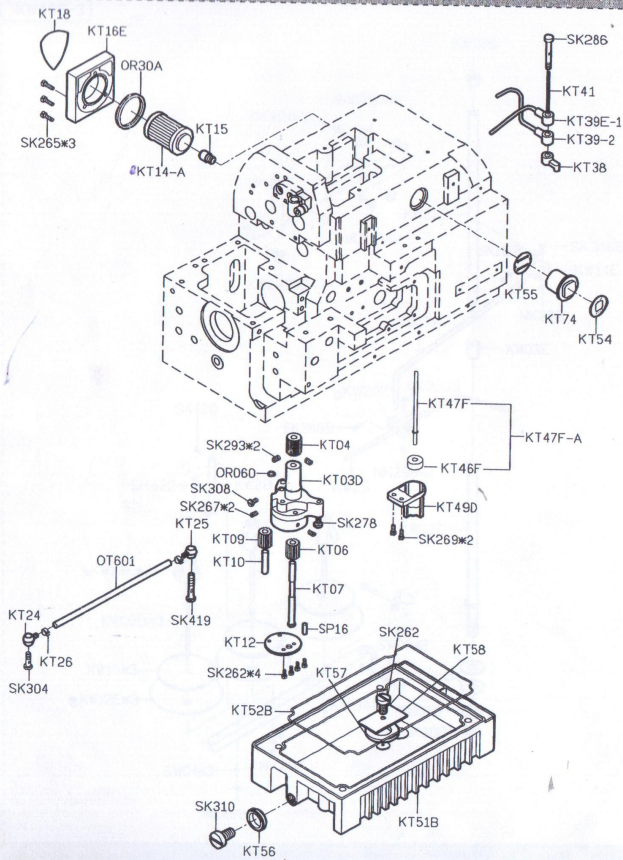






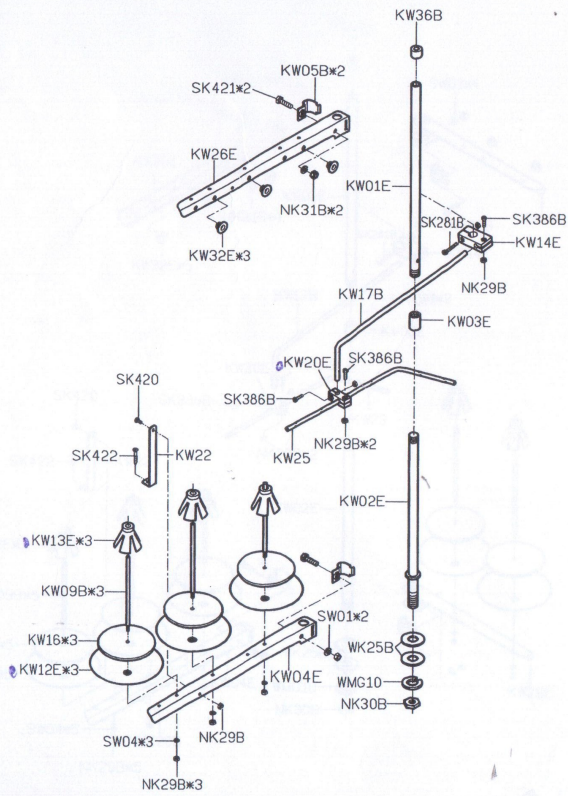
PARTS LIST FOR KT GROUP

PARTS LIST FOR KU GROUP



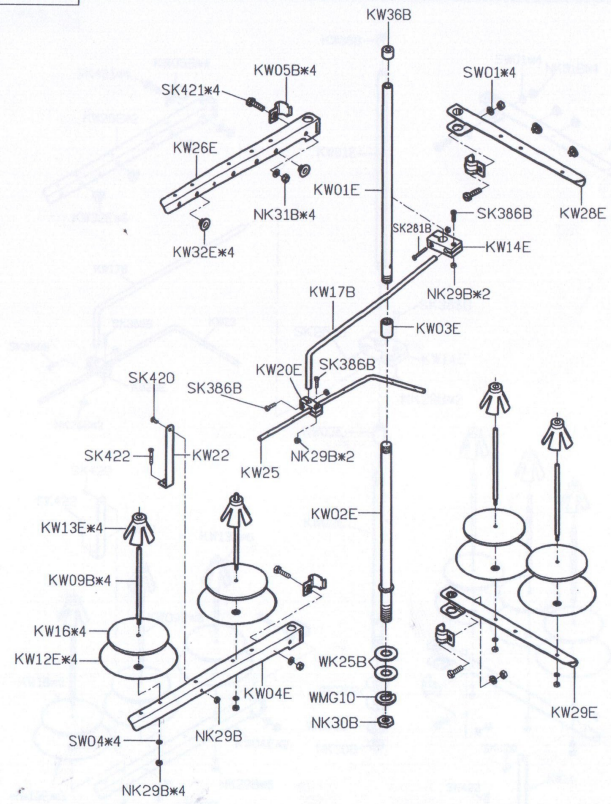


KW40E-3



PARTS LIST FOR KW GROUP

KW40E-4



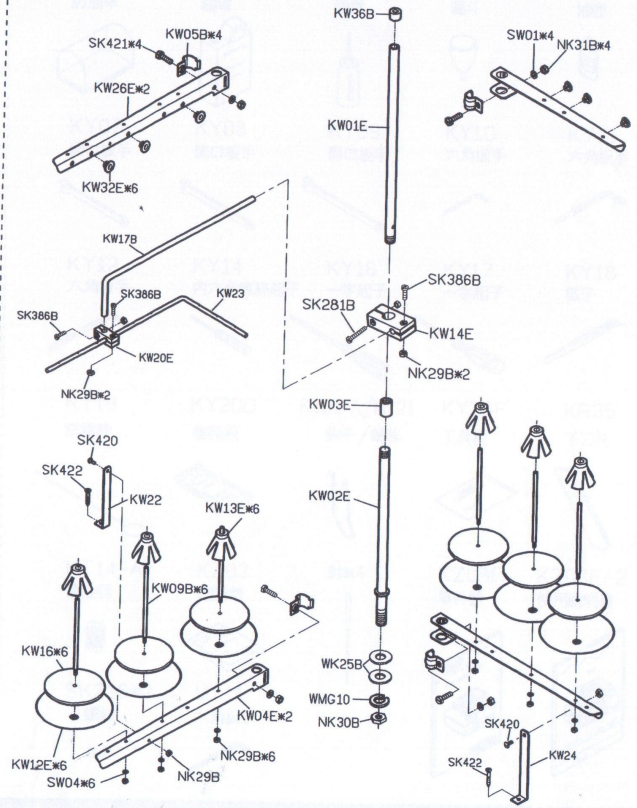
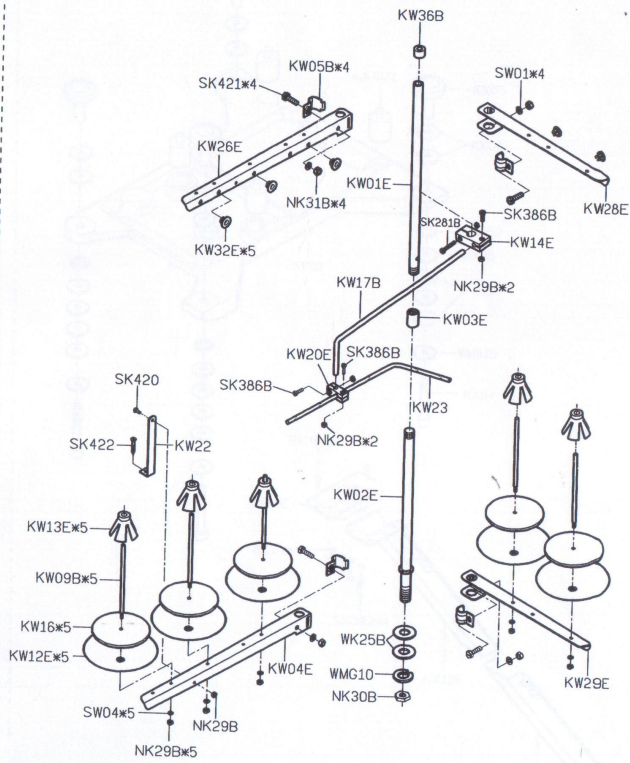
PARTS LIST FOR KW GROUP

PARTS LIST FOR KW GROUP

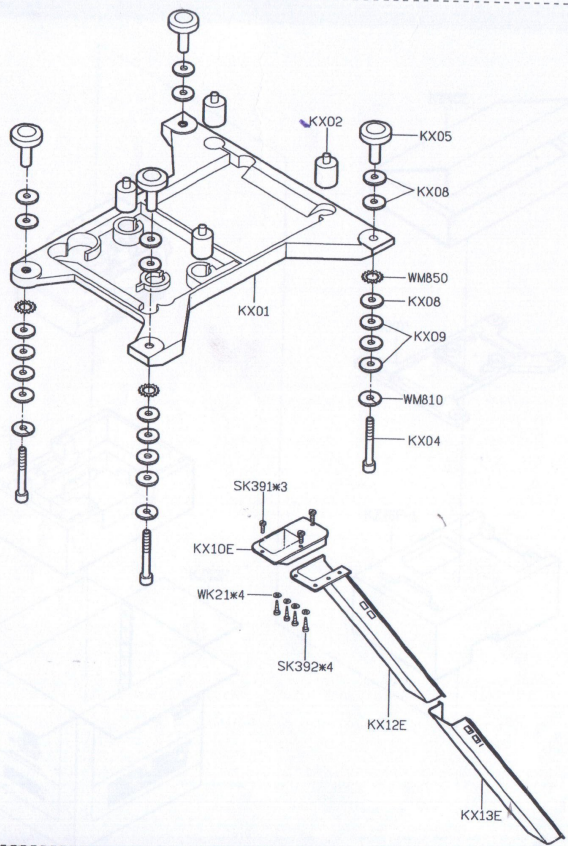
PARTS LIST FOR KW GROUP

KW40E-5



KW40E-6







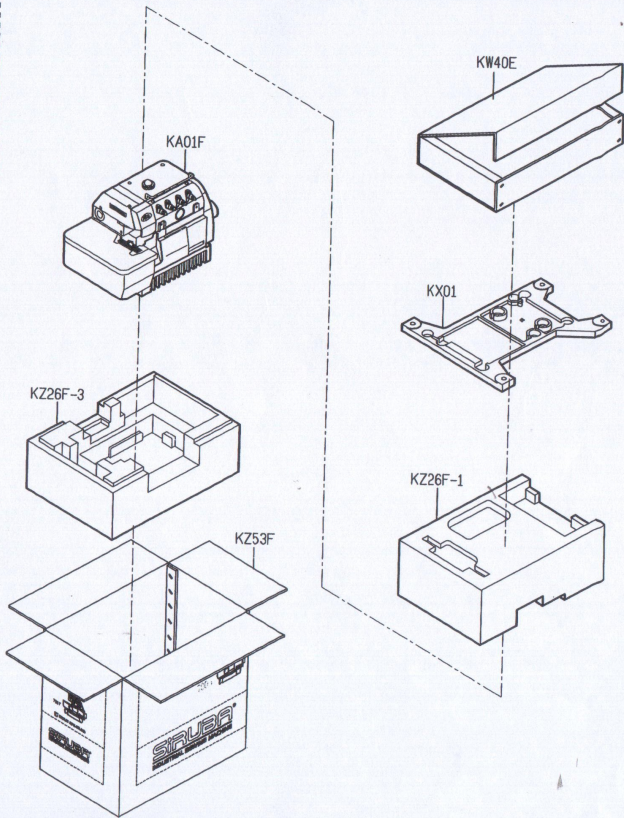
PARTS LIST FOR KX GROUP

- |  |  |   |   |   |
|--|--|---|---|---|
| KY01<br>防塵罩<br>     | KY02-A<br>油罐<br>     | KY03<br>油壺<br>             | KY04<br>漏斗<br>     | KY05<br>油壺<br>         |
| KY07<br>開口板手<br>    | KY08<br>開口板手<br>     | KY09<br>開口板手<br>           | KY10<br>六角板手<br>   | KY11<br>六角板手<br>       |
| KY12<br>六角板手<br>   | KY14<br>內六角螺絲起子<br> | KY16<br>一字起子<br>          | KY17<br>一字起子<br>  | KY18<br>鑷子<br>         |
| KY19<br>穿線器<br>   | KY20D<br>腳踏板<br>   | KY21-A/MY21<br>鉤子/鍊條<br> | KY26F<br>工具袋<br> | KR35<br>下刀片<br>      |
| KT14-A<br>濾油器<br> | KZ03<br>乾燥劑<br>    | 針*4<br>                  | KZ08F<br>零件圖<br> | KZ08F-2<br>使用說明書<br> |
| SK216*2<br>螺絲<br> | MY11<br>六角板手<br>   |   |   |   |

PARTS LIST FOR KY GROUP

PARTS LIST FOR KZ GROUP

PARTS LIST FOR LD GROUP







# 700F

高林股份有限公司 KAULIN MFG. CO. LTD.

The specification and/or appearances of the equipment described in this parts list are subject to change because of modification without previous notice.

KZ08F DEC. 2005