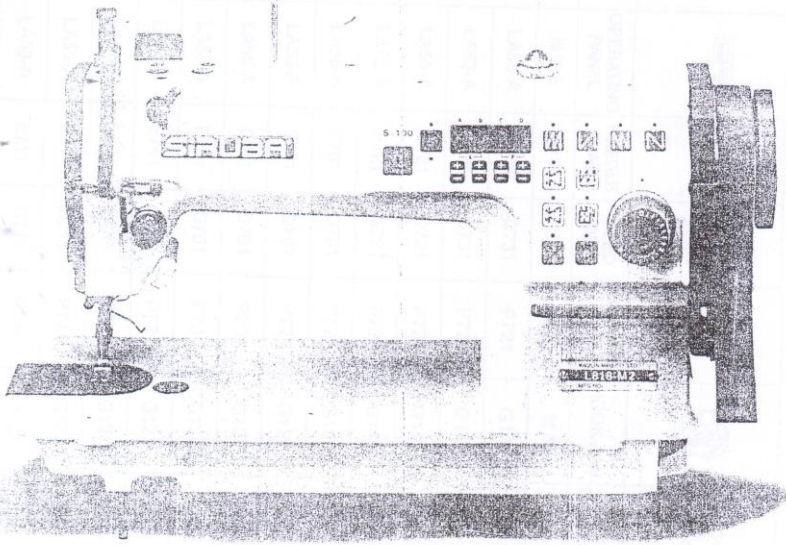


SIRUBA

銀箭牌工業用縫紉機
INDUSTRIAL SEWING MACHINE

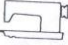









L818
(WITH TRIMMER)

零件圖 PARTS LIST

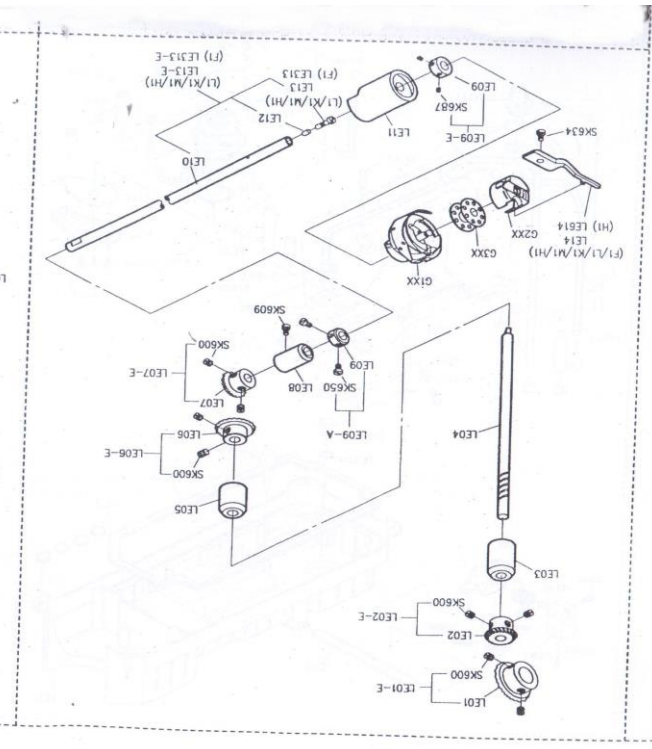
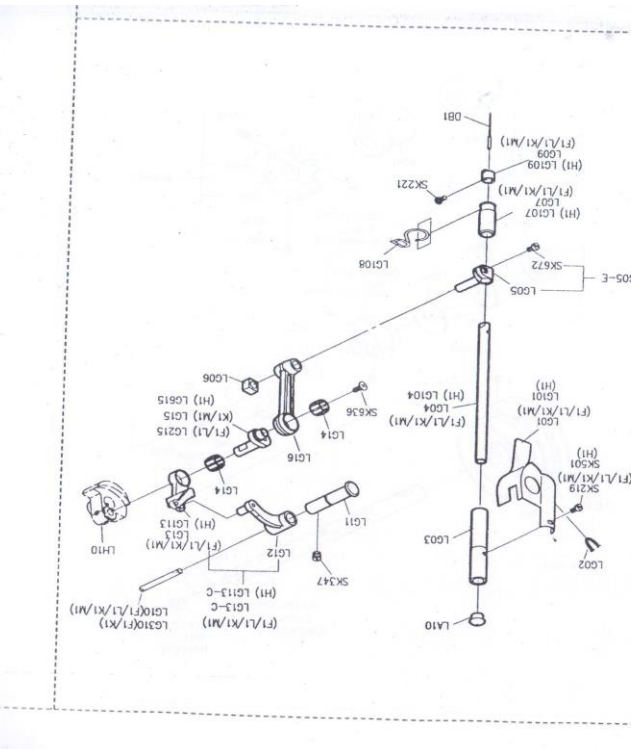
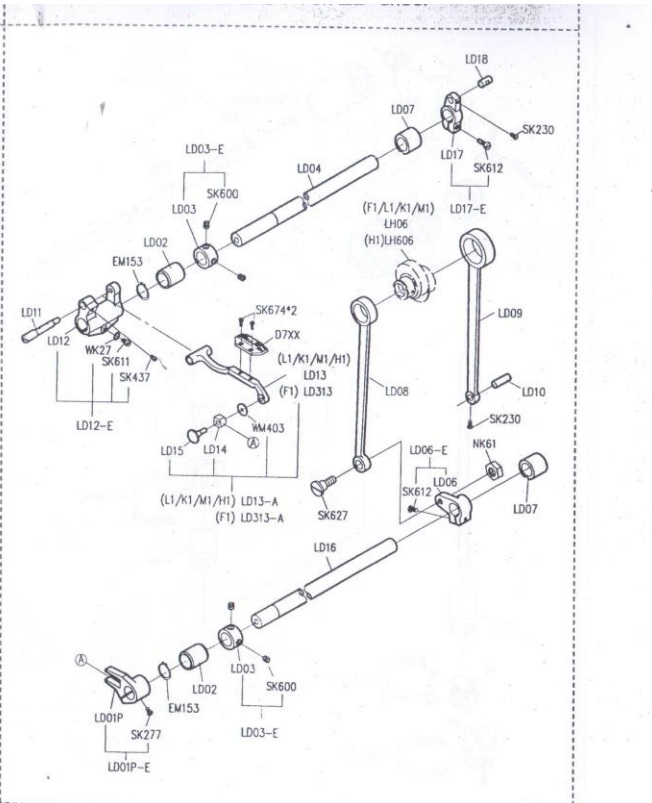
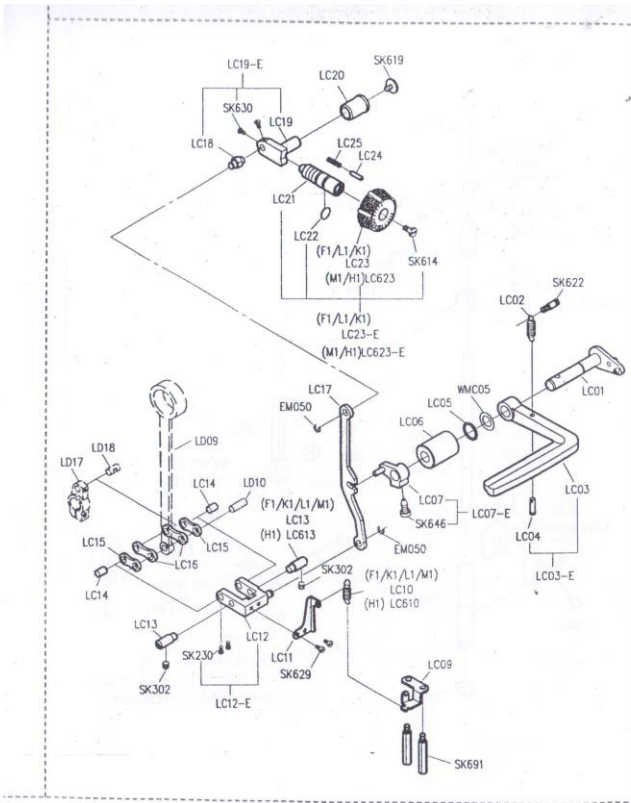


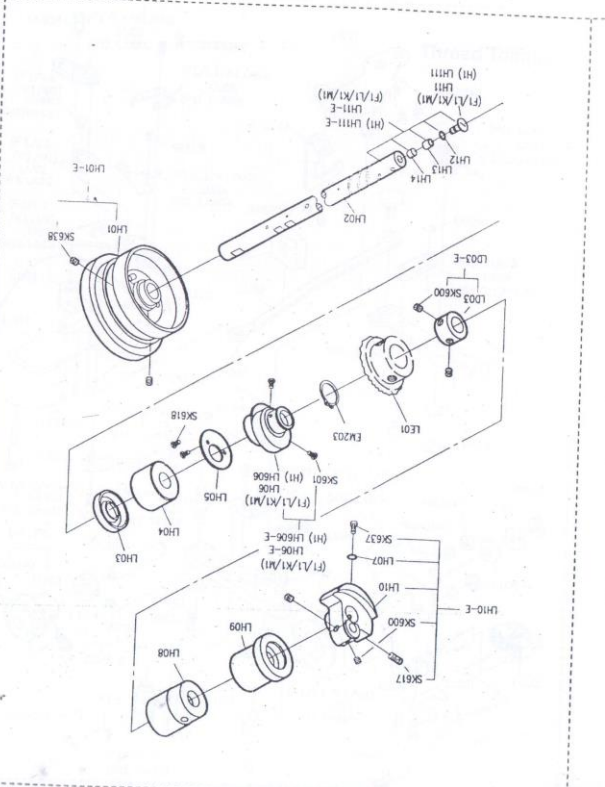
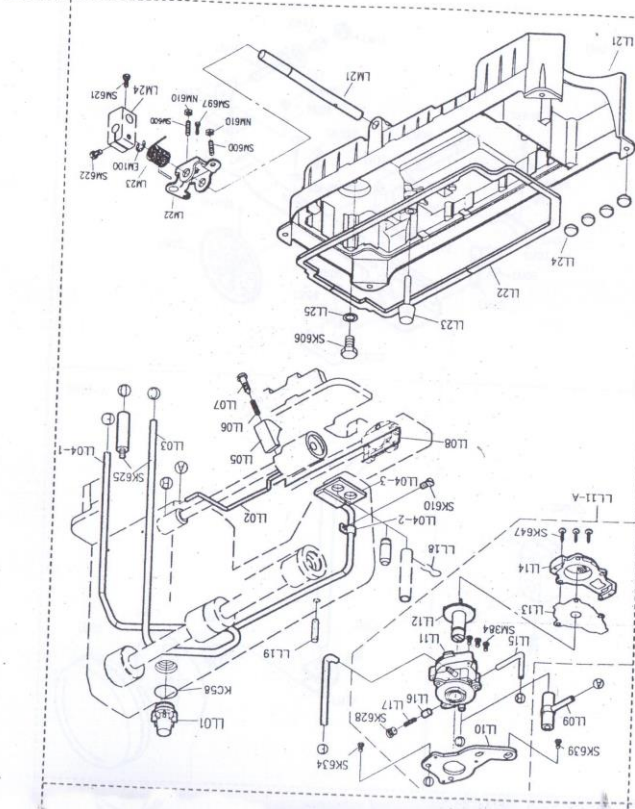
CE

 高林股份有限公司
KAULIN MFG. CO., LTD.

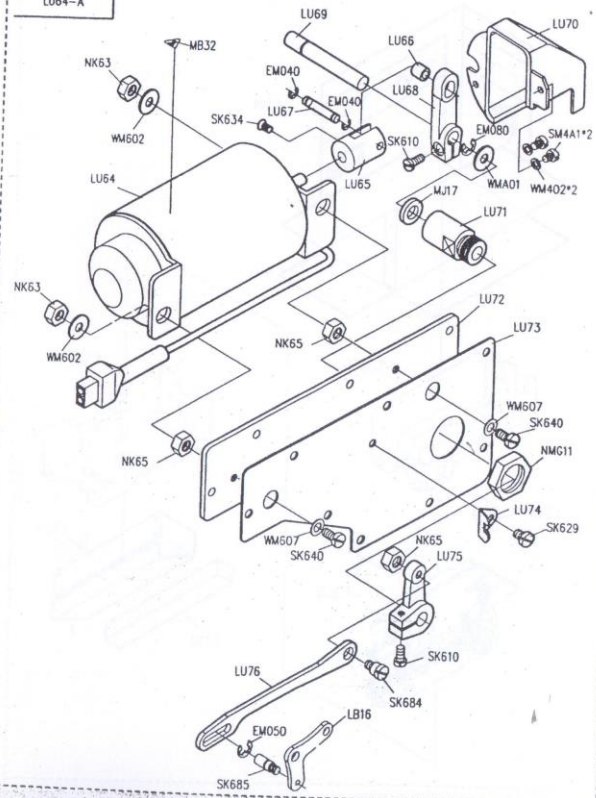
									
MODEL	SUB-CLASS	OPERATING PANEL	NEEDLE PLATE	FEED DOG	PRESSER FOOT	HOOK ASM	BOBBIN CASE ASM	BOBBIN	NEEDLE
機型	規格	操作盒	針板	送具	押具	梭頭	梭殼	梭子	針號
L818-F1-00~L818-F1-03	FINE MATERIAL 超薄布料	LA55-A	E731	D731	P721	G141	G201	G303	DB*1SF#9
L818-F1-10~L818-F1-13		LA53-A	E731	D731	P721	G141	G201	G303	DB*1SF#9
L818-F1-20~L818-F1-23		LA55-A	E721	D721	P721	G141	G201	G303	DB*1SF#9
L818-F1-30~L818-F1-33		LA53-A	E721	D721	P721	G141	G201	G303	DB*1SF#9
L818-L1-00~L818-L1-03	LIGHT MATERIAL 薄布料	LA55-A	E701	D701	P721	G121	G201	G303	DA*1#9
L818-L1-10~L818-L1-13		LA53-A	E701	D701	P721	G121	G201	G303	DA*1#9
L818-M1-00~L818-M1-03	LIGHT TO MEDIUM MATERIAL 薄至中厚布料	LA55-A	E701	D701	P701	G121	G202	G301	DB*1#11
L818-M1-10~L818-M1-13		LA53-A	E701	D701	P701	G121	G202	G301	DB*1#11
L818-K1-00~L818-K1-03	KNITTING MATERIAL 編織布料	LA55-A	E741	D741	P721	G121	G202	G303	DB*1#9
L818-K1-10~L818-K1-13		LA53-A	E741	D741	P721	G121	G202	G303	DB*1#9
L818-H1-00~L818-H1-03	MEDIUM TO HEAVY MATERIAL 中厚至厚布料	LA55-A	E711	D711	P711	G122	G202	G303	DB*1#21
L818-H1-10~L818-H1-13		LA53-A	E711	D711	P711	G122	G202	G303	DB*1#21



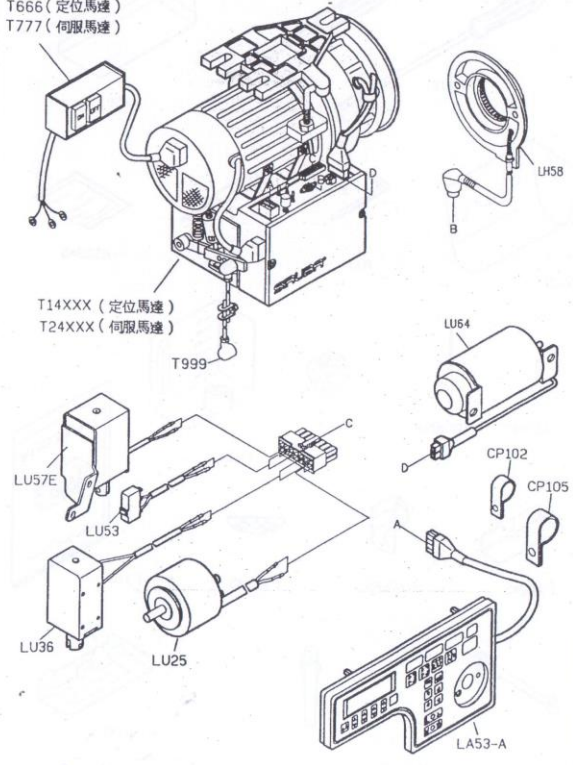




LU64-A



T666 (定位馬達)
T777 (伺服馬達)



PARTS LIST FOR LY GROUP

PARTS LIST FOR LZ GROUP

